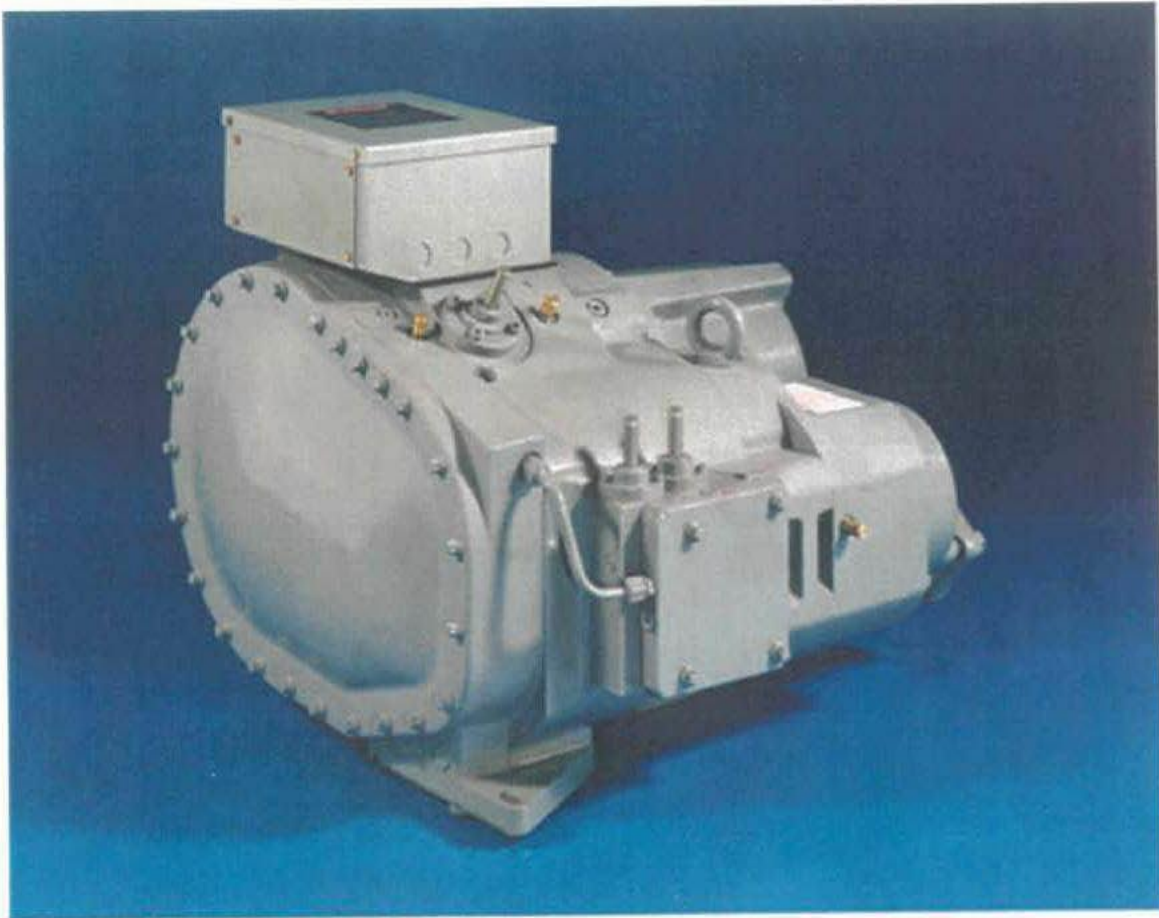


GTS104 Compressor Application Guide

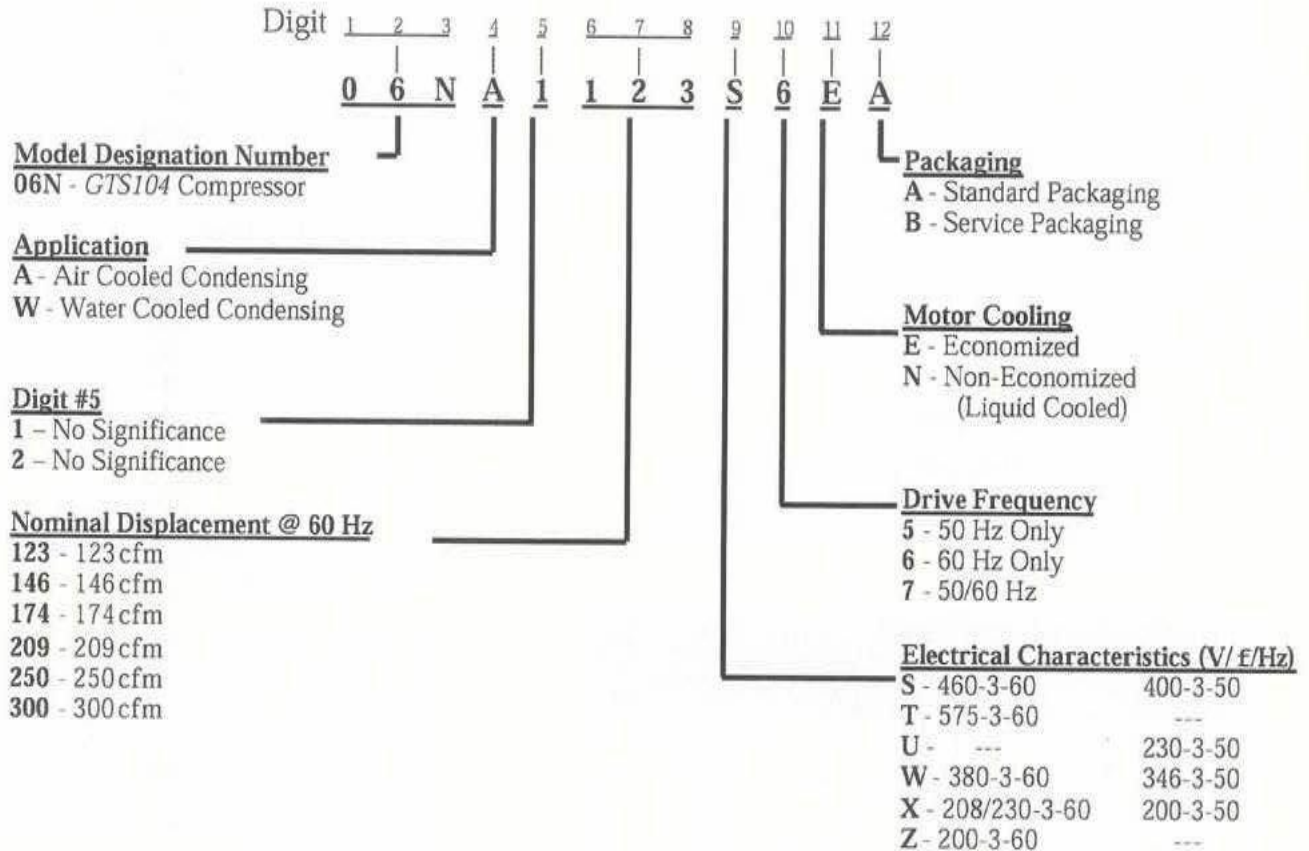


 Carlyle

1.3.8 Reversible Terminal Box

The terminal box on the *GTS104* compressor is 180° reversible. This allows the power wiring to enter the box from either over the gear cover or over the motor casing. The compressor certified drawings show the standard orientation of the box.

1.4 Model Number Significance Chart



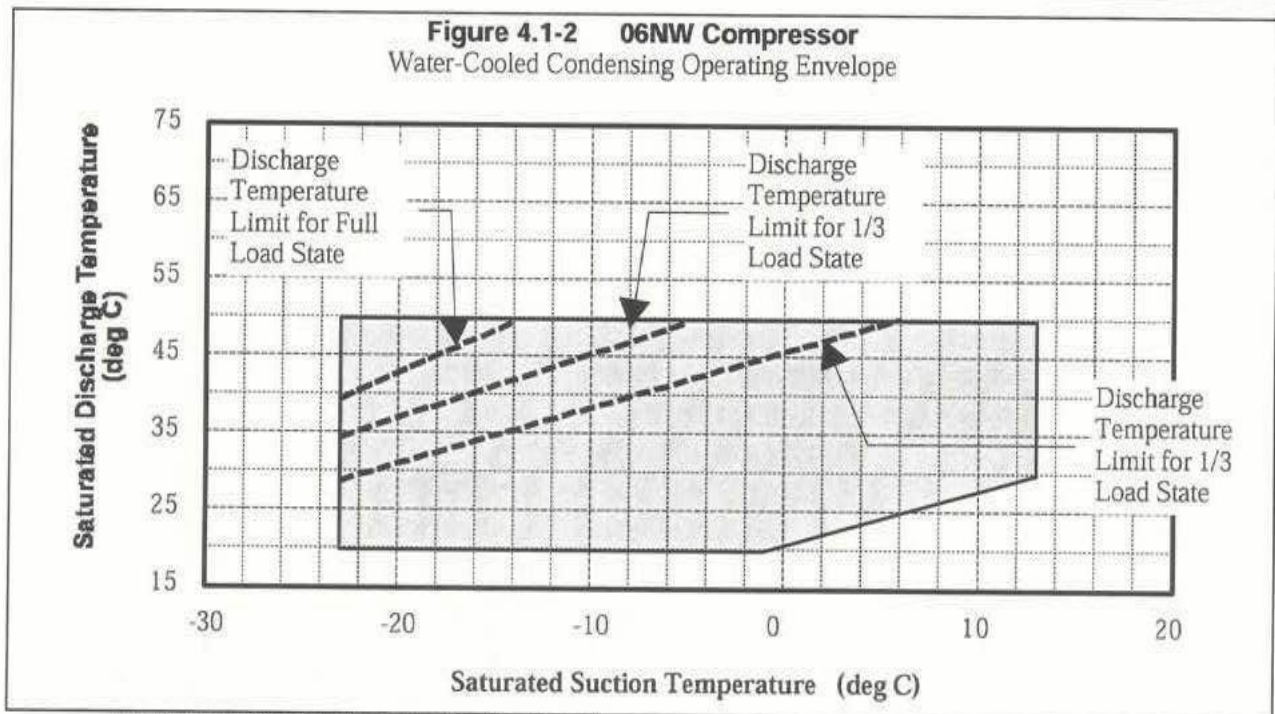
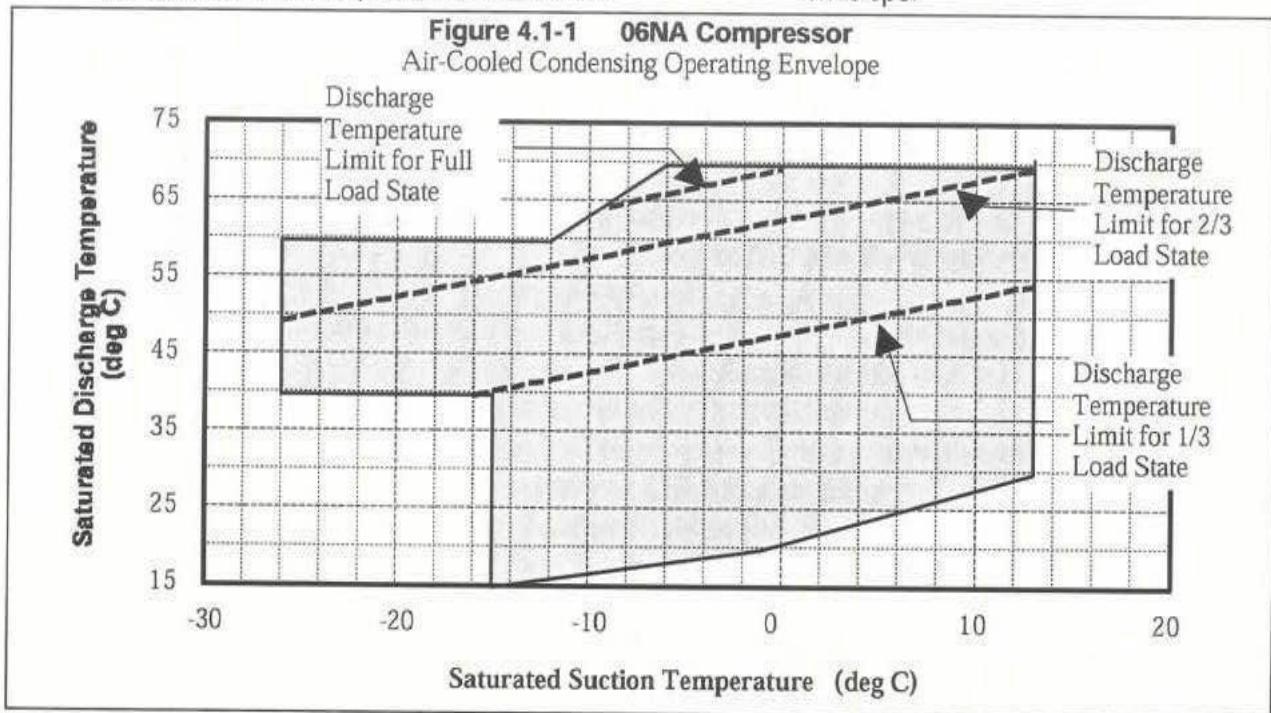
See Section 10.2 for valid model number configurations.

4. Operating Limits & Controls

4.1 Operating Envelope

The following R-134a operating envelopes, Figures 4.1-1 and 4.1-2, show where the compressor can be operated in both direct

expansion and flooded applications. The envelopes differ for the unique design configuration of the compressor. The fourth digit of the model number dictates the operating envelope.



Pressure limits are described in Section 8.



<p>Manufacturer reserves the right to discontinue, or change at any time, specifications or designs without notice and without incurring obligations.</p>	<p>Carlyle Compressor Company © Carrier Corporation 10/99 P.O. Box 4803, Syracuse, NY 13221 Phone: In US & Mexico 1-800-GO-CARLYLE In Canada & Puerto Rico 1-800-258-1123</p>	<p>Lit. No. 574-076 GTS104 Compressor Application Guide Revision 3.3</p>
-----------------------------------------------------------------------------------------------------------------------------------------------------------	---------------------------------------------------------------------------------------------------------------------------------------------------------------------------------------------------	-----------------------------------------------------------------------------------------